

UltraLock USB-C NVMe SSD with Write Protect Switch

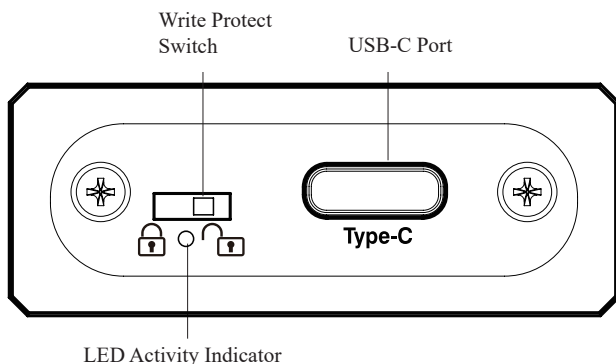
Quick Start Guide

09.09.19 v1.0 © 2019 Kanguru Solutions
Legal terms and conditions available at www.kanguru.com.
Please review and agree before use. Thank you.

General Operation

The Kanguru UltraLock runs off of the generic USB Mass Storage Device Driver that comes preinstalled on most operating systems. There are no additional drivers or software required to install before you can use your device. Simply connect your drive to your computer using the provided USB cable.

The Kanguru UltraLock operates the fastest when connected through a USB3.1 Gen.2 port. Although the Kanguru UltraLock is backwards compatible with USB3.1 Gen.1, USB2.0 and USB1.1, you can only achieve the maximum performance if the connected computer supports USB3.1 Gen 2.



Introduction

Combining a sleek, metal enclosure, super-fast USB3.1 Gen. 2 connectivity, and a physical, write protect switch, the Kanguru UltraLock is a convenient, cost-effective, easy-to-use portable storage device that works on both Macs and PCs.

Package Contents:

- Kanguru UltraLock
- Protective rubber skin
- USB-C to USB-A cable
- USB-C to USB-C cable
- Quick Start Guide

System Requirements:

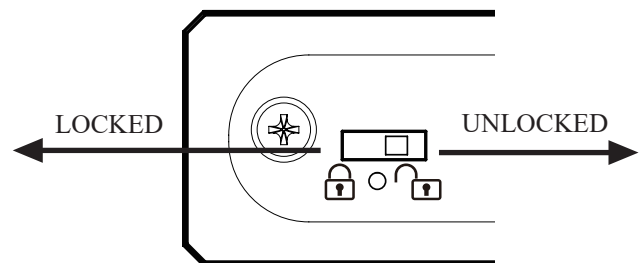
- Notebook or desktop computer
- Windows Vista, Windows 7, Windows 8.1, Windows 10 (32/64-bit compatible)
- Mac; Mac OS X 10.4 and above
- 1GB RAM or above
- Pentium 4, 2GHz processor or equivalent
- USB port (USB3.1 Gen.2 required to achieve max transfer rates)

Note: This is a Quick Start Guide only. For further information about your Kanguru UltraLock, please refer to the User Guide. A digital copy of the User Guide can be downloaded from: <http://support.kanguru.com>

The Write Protect Switch

One of the main features of the Kanguru UltraLock is its physical write protect switch. The UltraLock's physical write protect switch enables and disables write capability through the device's firmware, NOT programically through the OS registry as with some other devices.

Enabling and disabling the write protect switch is as simple as setting the switch to either the LOCKED or UNLOCKED position.



When set in the LOCKED position, the drive is write protected.
When set in the UNLOCKED position, the drive is write enabled.

Note: The write protect switch will operate in the mode it is set in when the device is connected. To change the mode, you must unplug the device first, change the switch position and then reconnect.

Connecting Your Kanguru UltraLock

Your Kanguru UltraLock is completely bus powered, so no external power adapters are needed. Simply connect your UltraLock to your computer using the appropriate USB3.1 cable provided.

There are two cables provided. The one that you need to use depends on whether the computer you are connecting the device to has a USB-C port or not.

Both cables have a USB-C connector on one end. This end connects to the Kanguru UltraLock.

The other end will have either a USB-A or USB-C connector. If the computer you are connecting to has a USB-C port, it is recommended to use that cable. Otherwise use the cable with the USB-A connector.

Note: Although the Kanguru UltraLock is backwards compatible with USB3.1 Gen.1, USB2.0 and USB1.1, you can only achieve the maximum performance if the connected computer supports USB3.1 Gen 2.

Once the you have connected your UltraLock to your computer using the appropriate cable, the LED Activity Indicator will light up, indicating that the drive is powered on.

- Windows users will see a new drive appear in My Computer.
- Mac users will see a new drive appear on the Desktop.

Your Kanguru UltraLock is now ready for use.

Kanguru Solutions guarantees that every Kanguru UltraLock will be free from defects in workmanship and materials for 1-year from the date of purchase. This warranty does not apply if, in the judgment of Kanguru Solutions, the product fails due to damage from handling, accident, abuse, misuse, or if it has been used in a manner not conforming to the product's instructions, has been modified in anyway, or the warranty labels have been removed. If the product proves defective during this warranty period, call Kanguru Solutions Technical Support in order to obtain a RMA required for service. When returning a product, mark the RMA number clearly on the outside of the package, and include a copy of your original proof of purchase.

In no event shall Kanguru Solutions' liability exceed the price paid for the product from direct, indirect, special, incidental, or consequential software, or its documentation. Kanguru Solutions offers no refunds for its products after 30 days of purchase. Kanguru Solutions makes no warranty or representation, expressed, implied, or statutory, with respect to its products or the contents or use of this documentation and all accompanying software, and specifically disclaims its quality, performance, merchantability, or fitness for any particular purpose. Kanguru Solutions reserves the right to revise or update its products, software, or documentation without obligation to notify any individual or entity.

If you experience any problems installing your Kanguru product or have any technical questions regarding any of our products, please call our tech support department. Our tech support is free and available Monday thru Friday, 9am to 5pm EST.

Call 1-508-376-4245

Or visit our website at support.Kanguru.com

Disconnecting the Kanguru UltraLock

WARNING! Do not unplug the Kanguru UltraLock from the USB port of your computer or hub while copying files to or from the device or while files or applications stored on the drive are in use. **DOING SO MAY RESULT IN LOSS OF DATA.**

Windows Users

To properly disconnect the drive from your computer, click on the Safely Remove Hardware icon located in the taskbar. This will allow you to select any removable devices that you have connected to your computer. Select the drive that you want to remove and Windows will alert you when it is safe to remove the device.

Mac Users

To safely remove the drive from the system, drag the external storage icon from your desktop to the trash bin. This will safely remove the drive from your system. Once the drive has been removed you can safely disconnect your drive. Your system may freeze up or give you an error message if you remove the device without properly stopping it first.