

## Light Tower Indicator

Model no: KCLONE-LIGHT



### Quick Start Guide

03.30.11 v1.0 © 2011 Kanguru Solutions

Legal terms and conditions available at [www.kanguru.com](http://www.kanguru.com).

Please review and agree before use. Thank you.

### Introduction

Thank you for purchasing the Kanguru Clone Light Tower Indicator. The Kanguru Clone Tower Light Indicator is an omnidirectional light indicator that allows you to easily view the status of your Kanguru Clone hard drive duplicator from a distance. For use with Kanguru Clone Hard Drive Duplicator models KCLONE-5HD-SATA and KCLONE-14HD-SATA.

### Package Contents

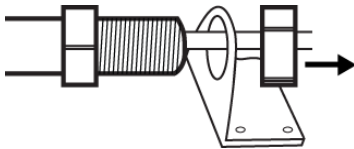
If any of the following items are missing, please contact Kanguru Solutions Technical Support at 508-376-4245 ext.2 and your replacement parts will be shipped to you immediately.

- 1x Light Tower Indicator with mounting bracket
- 4x Mounting screws
- 1x Quick Start Guide

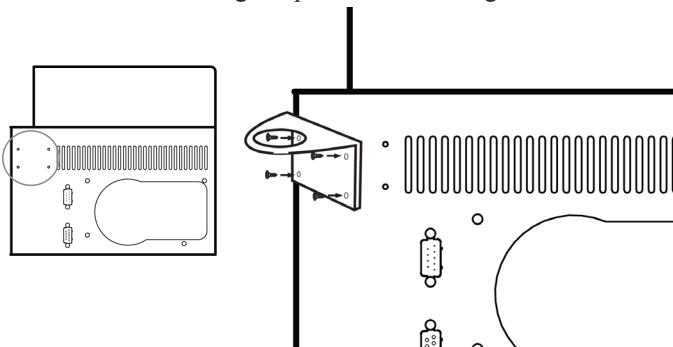
### Assembly

To attach your Light Tower Indicator to your Kanguru Clone hard drive duplicator:

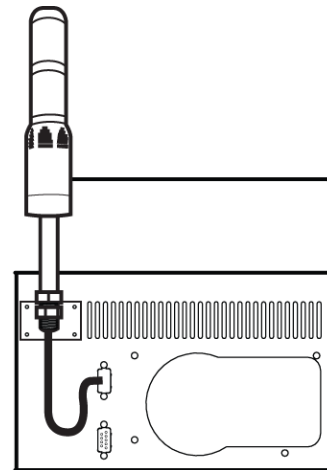
1. Unscrew the hexagonal nut located at the bottom of the Light Tower until it is released. Slide the mounting bracket half-way down the cable.



2. Attach the mounting bracket to the back of the Kanguru Clone's case using the provided mounting screws.



3. Screw the hexagonal nut back onto the bottom of the Light Tower.
4. Connect the Light Tower cable to the top port on the back of your duplicator. The Light Tower cable will only fit one of the ports.



Congratulations! Your Light Tower is now mounted. While a duplication is in progress the Light Tower will blink green to indicate that it is working. When the duplication process is completed the Light Tower will show either a solid green or solid red light signifying a successful duplication or a failed duplication.